

目录CONTENT

CB-B系列齿轮泵 CB-B Series Gear Pump.....	1
BB-B系列摆线油泵 BB-B Series Cycloidal Gear Pump.....	3
BB-B*Y摆线油泵 BB-B*Y Series Cycloidal Gear Pump.....	5
HY01(CBJ)型齿轮油泵 HY01 Series Gear Pump	7
DCB-B160 ~ 500低噪音大流量泵 DCB-B160~500 Low Noise & Large Flow Gear Pump.....	9
DCB-B600 ~ 1000低噪音大流量泵(圆形) DCB-B600~1000 Low Noise & Large Flow Gear Pump(Round).....	11
DCB-B600~1000低噪音大流量泵(椭圆形) DCB-B600~1000 Low Noise & Large Flow Gear Pump(OVAL).....	13
WBZ双联齿轮泵 WBZ Gear Pump 's Motor Device	15
CB-0.8油泵电机装置 CB-0.8 Gear Pump 's Motor Device	17
CB-BJZ齿轮泵电机组(卧式) CB-BJZ Gear Pump's Motor Group (Horizontal)	18
BB-BJZ摆线齿轮泵电机组(立卧式) BB-BJZ Cycloidal Gear Pump 's Motor Group(Vertical & Horizontal).....	20
LBZ立式齿轮泵电机装置 LBZ Gear Pump 's Motor Device	22
RHB润滑摆线齿轮泵的电机组 RHB Lubricating Cycloidal Gear Pump's Motor Group.....	24
CB-FA(Fc)型高压齿轮泵 CB-Fa(Fc) High Pressure Gera Pump.....	26
CB-B双联齿轮泵 CB-B Series Dual Pump.....	28
SNBY双向润滑油泵 SNBY Bidirectional Lubricating Oil Pump	30
SXF双向润滑油泵 SXF Bidirectional Lubricating Oil Pump	32
RHB双向润滑油泵 RHB Bidirectional Lubricating Oil Pump	34
R12-1润滑油泵 R12-1 Lubricating Oil Pump	35



CB-B Series Gear Pump



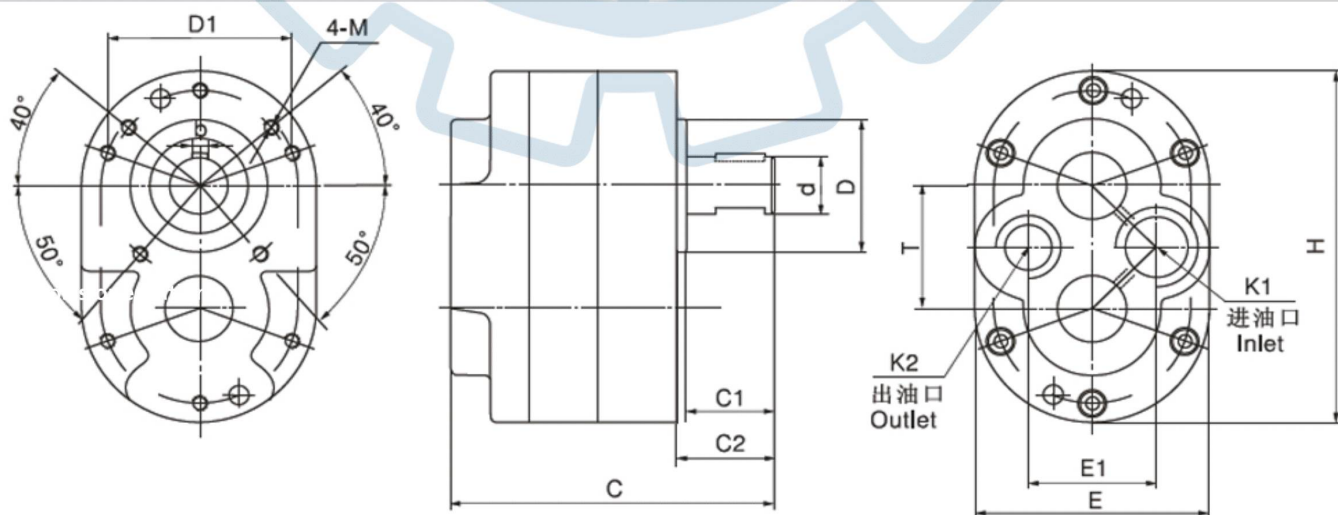
Introduction

This series has two teeth - spur and helical teeth, it is outside the engaging displacement. For the transfer of 1 ~ 8 ° viscosity mineral oil, oil temperature at 10 °C ~ 60 °C , such as hydraulic oil, mechanical oil, fuel oil.

CB-B series gear pump is widely used in machine tools, hydraulic machinery, engineering machinery, hydraulic systems, as a power source system. It can also be used to thin oil station, metallurgy, mining, petroleum, chemical, textile machinery and other equipment for the oil pump, lubricating pump, fuel pump.

** Remark: If the temperature of medium is between 60°C ~ 200°C, please mark it and we will make preparation for your particular requirements.*

Dimension





Model	C	E	H	C1	C2	D(f8)	D1	d(h7)	E1	T	b	M	K1	K2
CB-B2.5	79	66	96	25	30	Φ35	Φ50	Φ12	35	30	4	M6	Z3/8"	Z3/8"
CB-B4	82													
CB-B6	86													
CB-B10	94													
XCB-B16	107	90	132	30	35	Φ50	Φ55	Φ6	50	42	5	M8	Z3/4"	Z3/4"
XCB-B20	111													
XCB-B25	115													
XCB-B32	121													
XCB-B40	132	102	154	35	40	Φ55	Φ80	Φ22	55	52	6	M8	Z1"	Z3/4"
XCB-B50	138													
XCB-B63	144													
XCB-B80	158													
XCB-B100	165	121	186	45	50	Φ70	Φ95	Φ30	65	65	8	M8	Z1-1/4"	Z1"
XCB-B125	174													
XCB-B160	186													

Technical Specification

Model	Rated flow L/min	Rated Pressure MPa	Rated Speed r/min	Volumetric Efficiency ηv%	Overall Efficiency ηt%	Pressure Fluctuation MPa	Noise db	Power Driving kw	Weight kg
CB-B2.5	2.5	2.5	1450	≥70	≥63	± 0.15	62 ~ 65	0.18	1.6
CB-B4	4			≥80	≥72			0.21	1.7
CB-B6	6			≥90	≥81			0.31	1.8
CB-B10	10							0.51	2.1
CB-B16	16			67 ~ 70	0.82		4.2		
CB-B20	20				1.02		4.4		
CB-B25	25				1.3		4.6		
CB-B32	32				1.65		5		
CB-B40	40			74 ~ 77	2.1		7.2		
CB-B50	50				2.6		7.6		
CB-B63	63				3.3		7.8		
CB-B80	80				4.1		12.6		
CB-B100	100			80 ~ 83	5.1		13.3		
CB-B125	125				6.5		14.5		
CB-B160	160				8.2		15.6		



BB-B Series Cycloidal Gear Pump

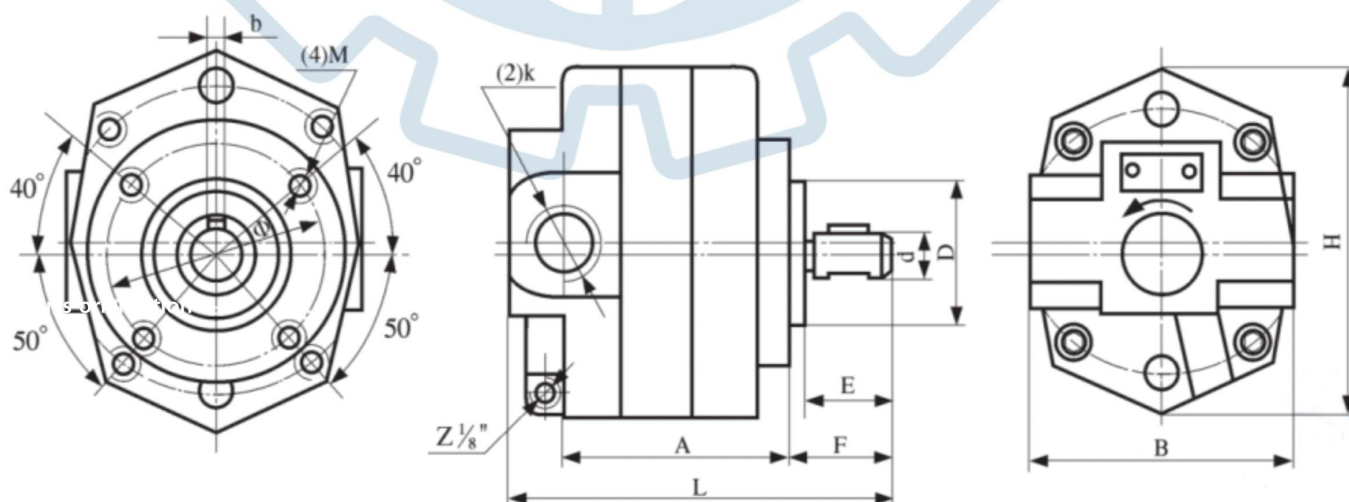


Introduction

BB-B series cycloid gear pump is a positive displacement gear pump inside, due to the simple structure, low noise, stable oil, gear pumps self-priming performance, widely used in hydrostatic bearings hydraulic machines, machine tools, hydraulic systems for power source, can be used pump, lubrication pump, fuel pump.

** Remark: When transporting corrosive media, such as glue, paint, paint, etc., please mark it and we can make design as per your requirements or recommend our Packing seal oil pump.*

Dimension





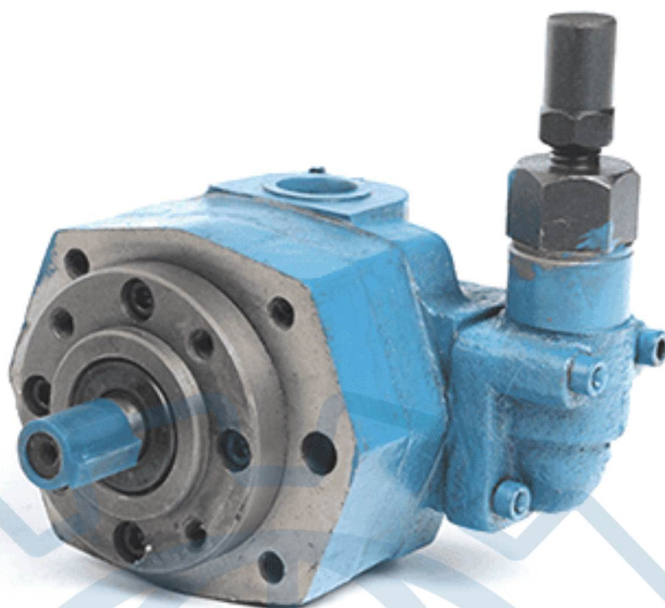
Model	A	B	E	F	H	L	D(f8)	d(h7)	Φ	B	M	K
BB-B4	50	75	25	30	92	94	Φ35	Φ12	Φ50	4	M6	Z3/8"
BB-B6	55					99						
BB-B10	64					108						
BB-B16	72	95	30	35	117	127	Φ50	Φ16	Φ65	5	M8	Z3/4"
BB-B20	76					131						
BB-B25	81					136						
BB-B32	88					143						
BB-B40	85	115	32	37	134	144	Φ55	Φ22	Φ80	6	M8	Z3/4"
BB-B50	90					149						
BB-B63	97					156						
BB-B80	102	135	40	46	154	175	Φ70	Φ30	Φ95	8	M8	inputZ11/ 4" outputZ1 "
BB-B100	109					182						
BB-B125	118					191						

Technical Specification

Model	Rated Capacity	Pressure	Revolution	Pressure Fluctuation	Volumetric Efficiency	Power
	h/min	Mpa	min	MPa	ηv%	w
BB-B4	4	2.5	1500	±0.15	≤80	0.55
BB-B6	6					
BB-B10	10					
BB-B16	16				≤90	1.1
BB-B20	20					
BB-B25	25					
BB-B32	32					
BB-B40	40					
BB-B50	50					
BB-B63	63				3	
BB-B80	80					
BB-B100	100					
BB-B125	125	5.5				



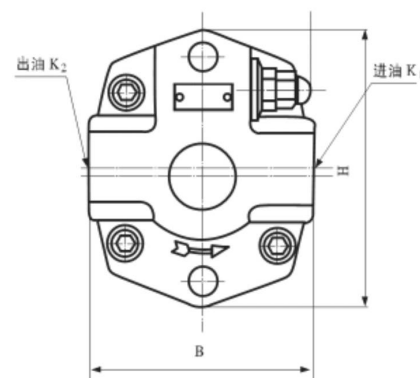
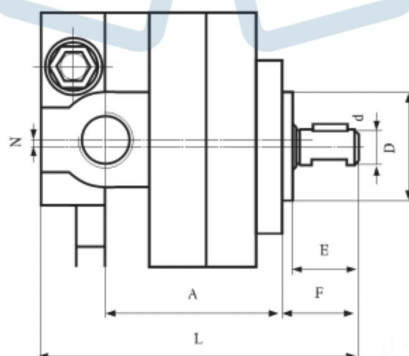
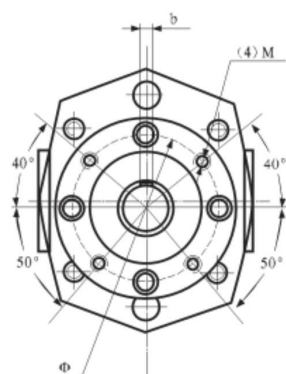
BB-B*Y Series Cycloidal Gear Pump



Introduction

BB-B*Y series gear pump comes with a safety valve, eliminating the need for pipe connections, so reliable sealing, especially for oil vehicle. Also cycloid gear pump motor pump unit can also be used as a power source or other low pressure oil lubrication and cooling equipment.

Dimension





Model	Size															
	A	B	E	F	H	N	L	D(f8)	d(h7)	Φ	b	M	K1	K2	C	
BB-B4Y	50						107									
BB-B6Y	55	72	25	30	92	2	112	Φ35	Φ12	Φ50	4	M6	Z3/8"	Z3/8"	36	
BB-B10Y	64						121									
BB-B16Y	72	95	30	34.5	117	3	137	Φ50	Φ16	Φ65	5	M8	Z3/4"	Z3/4"	50	
BB-B25Y	81						146									
BB-B40Y	85						155									
BB-B50Y	90						160									
BB-B63Y	97	110	32	37	134	4	167	Φ55	Φ22	Φ80	6					60
BB-B63Y1													Z1"	Z3/4"		
BB-B63Y2													Z1"	Z1"		
BB-B80Y	102						195									
BB-B100Y	109						202							Z1"	Z1"	
BB-B125Y	118	130	40	46	154	5	211	Φ70	Φ30	Φ95	8					73
BB-B125Y1												Z1/4"	Z1"			
BB-B125Y2												Z1/4"	Z1/4"			

Technical Specification

Model	Rated Flow	Working Pressure	Safety Setting Pressure	Suction Height	Motor		
	L/min				MPa	MPa	mm
BB-B4Y	4	< 0.5	0.63	500	JW5624	0.12	1400
BB-B6Y	6				JW6314	0.18	
BB-B10Y	10				JW6324	0.25	
BB-B16Y	16				JW7114	0.37	
BB-B25Y	25				JW7124	0.55	
BB-B40Y	40				Y802-4	0.75	1390
BB-B50Y	50				Y90S-4	1.1	1400
BB-B63Y	63						
BB-B63Y1	63						
BB-B63Y2	63						
BB-B80Y	80						
BB-B100Y	100	Y90L-4	1.5				
BB-B125Y	125	Y100L1-4	2.2	1420			



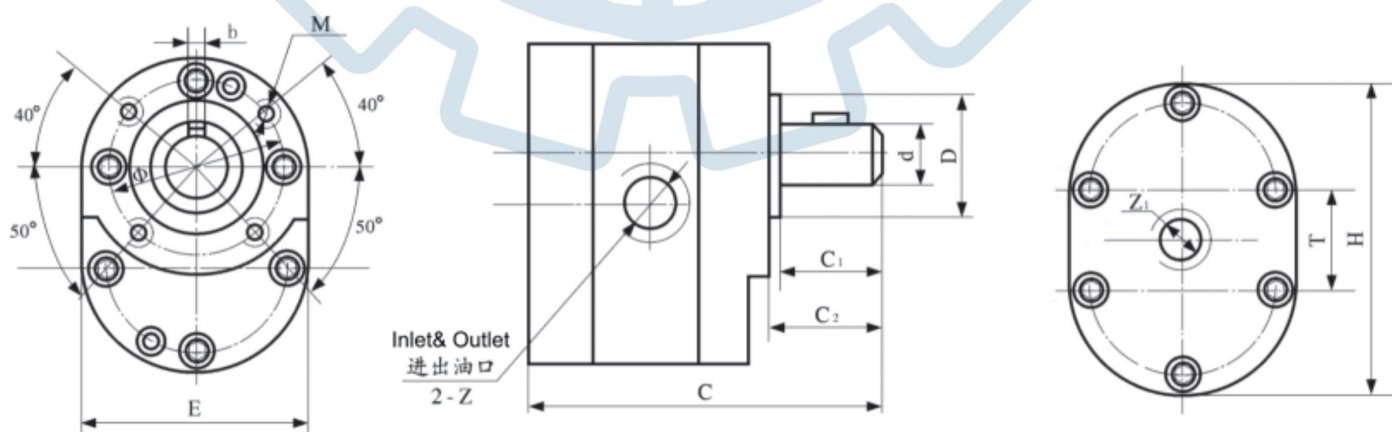
HY01 Series Gear Pump



Introduction

This product is previous generation of CB-B-type gear pump, due to its stable performance, good concentricity, gear pumps its unique structure, has been also widely used, such as surface grinder, oil filter, etc.

Dimension





Model	Flow	Pressure	Speed	Volumetric effi	Totaleffi	Pressurepulse	Drivepower
	L/min	MPa	r/min	$\eta_v\%$	$\eta_t\%$	MPa	kw
HY01-3*5	3	0.5	1450	≥ 70	≥ 63	0.15	0.21
HY01-5*10	5	1		≥ 80	≥ 72		0.31
HY01-8*15	8	1.5		≥ 90	≥ 81		0.51
HY01-12*20	12	2		≥ 94	≥ 85		0.82
HY01-18*25	18	2.5		≥ 95	≥ 86		1.02
HY01-25*25	25						1.3
HY01-35*25	35						1.65
HY01-50*25	50						2.6
HY01-70*25	70						4.1
HY01-100*25	100				5.1		

Technical Specification

Model	C1	C1	C3	E	H	D(f8)	Φ	d(h7)	T	b	M	2-Z(in/output)	
HY01-3× 5	87	25	28	56	80	$\Phi 30$	$\Phi 40$	$\Phi 12$	25	4	M8	Z1/4"	Z1/8"
HY01-5× 10	93											Z3/8"	
HY01-8× 15	101	25	28	65	95	$\Phi 35$	$\Phi 50$	$\Phi 14$	30	4		Z1/2"	
HY01-12× 20	109											Z3/4"	
HY01-18× 25	117	30	34	80	122	$\Phi 50$	$\Phi 65$	$\Phi 16$	42	5	M10	Z1"	Z1/4"
HY01-25× 25	124												
HY01-35× 25	140	35	39	108	160	$\Phi 55$	$\Phi 80$	$\Phi 22$	52	6		Z1/4"	
HY01-50× 25	148												
HY01-70× 25	166	40	48	120	185	$\Phi 70$	$\Phi 95$	$\Phi 30$	65	8		Z1/4"	



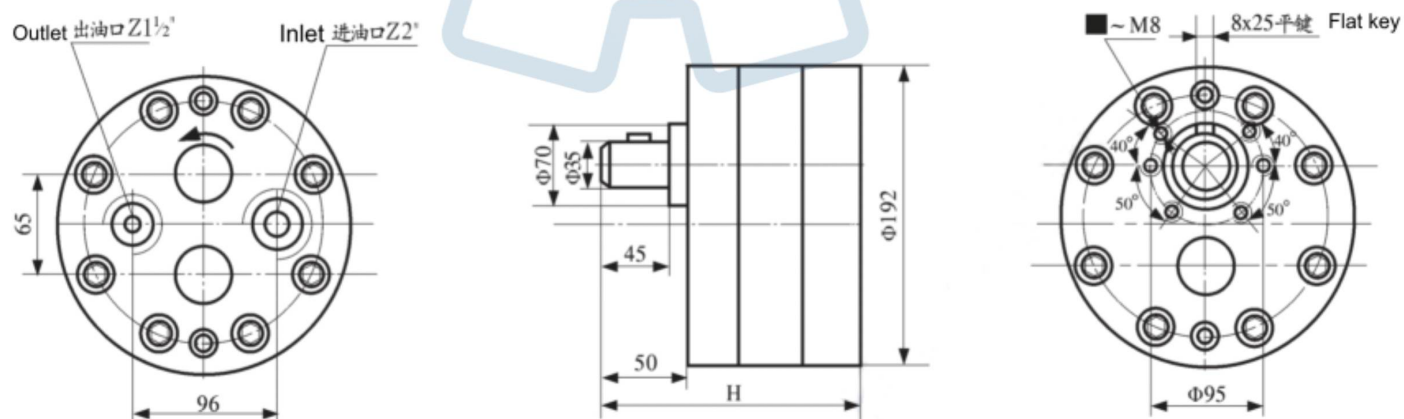
DCB-B160~500 Low Noise & Large Flow Gear Pump



Introduction

This series of high flow pump has a helical gear, with the advantage of low noise, large flow, small pulse, stable operation. It is widely used in the hydraulic systems of artificial, plywood machinery, forestry machinery, plastic machinery, which is less than 2.5MPa hydraulic systems. It can be also used for high flow oil filling stations, oilfields. After corrosion treatment, it can be used for water pump.

Dimension

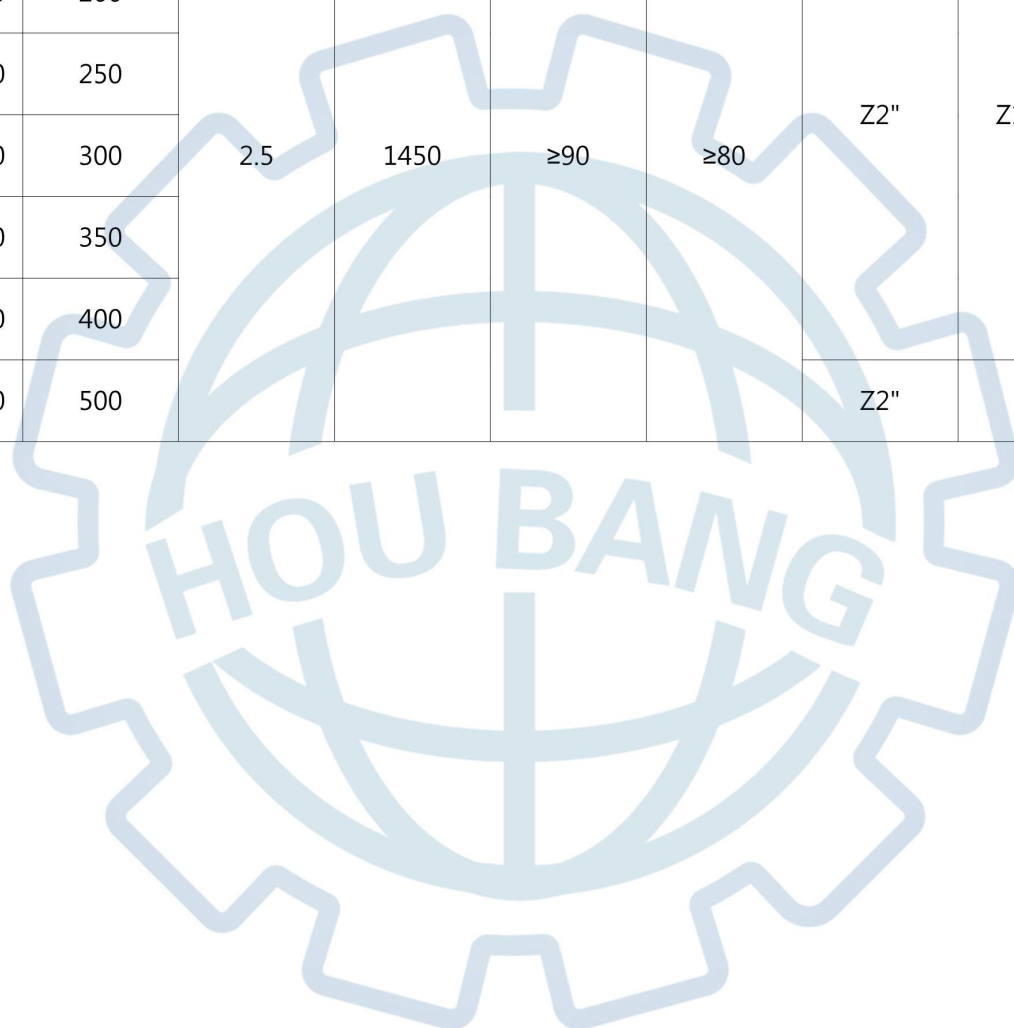




Model	DCB-B160	DCB-B200	DCB-B250	DCB-B300	DCB-B350	DCB-B400	DCB-B500
H	186	210	228	245	263	280	316

Technical Specification

Type	Flow l/min	Rated Pressure MPa	Rated Rotate Speed r/min	Volume Efficiency $\eta_v\%$	Overall Efficiency $\eta_t\%$	Oil-in	Oil-Out	Driving Power Kw
DCB-B160	160	2.5	1450	≥ 90	≥ 80	Z2"	Z1 1/2"	8.2
DCB-B200	200							10.1
DCB-B250	250							13
DCB-B300	300							15
DCB-B350	350							17
DCB-B400	400							20
DCB-B500	500					Z2"	Z2"	24





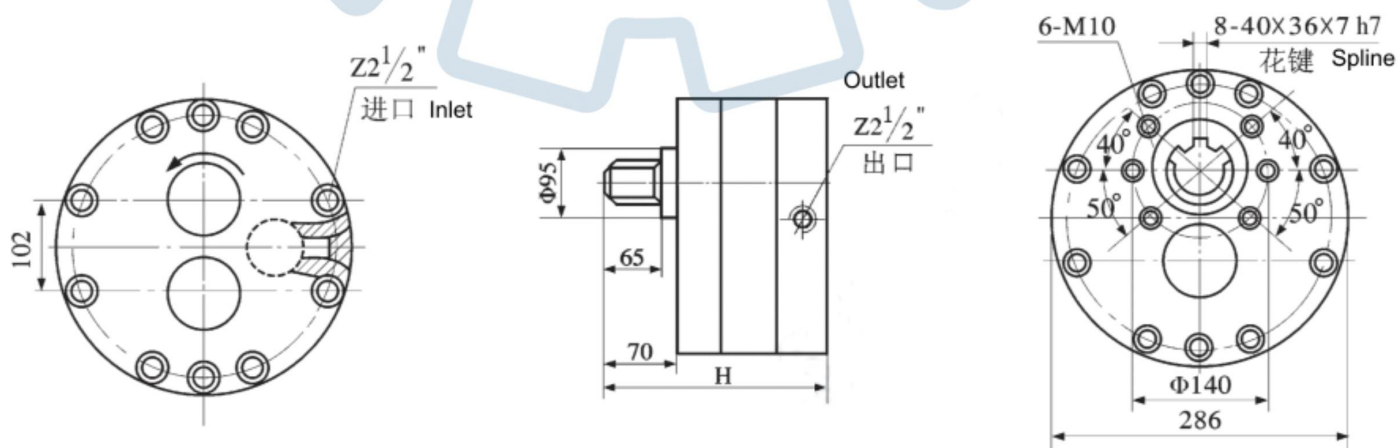
DCB-B600~1000 Low Noise & Large Flow Gear Pump(Round)



Introduction

This series of high flow pump has a helical gear, with the advantage of low noise, large flow, small pulse, stable operation. It is widely used in the hydraulic systems of artificial, plywood machinery, forestry machinery, plastic machinery, which is less than 2.5MPa hydraulic systems. It can be also used for high flow oil filling stations, oilfields. After corrosion treatment, it can be used for water pump.

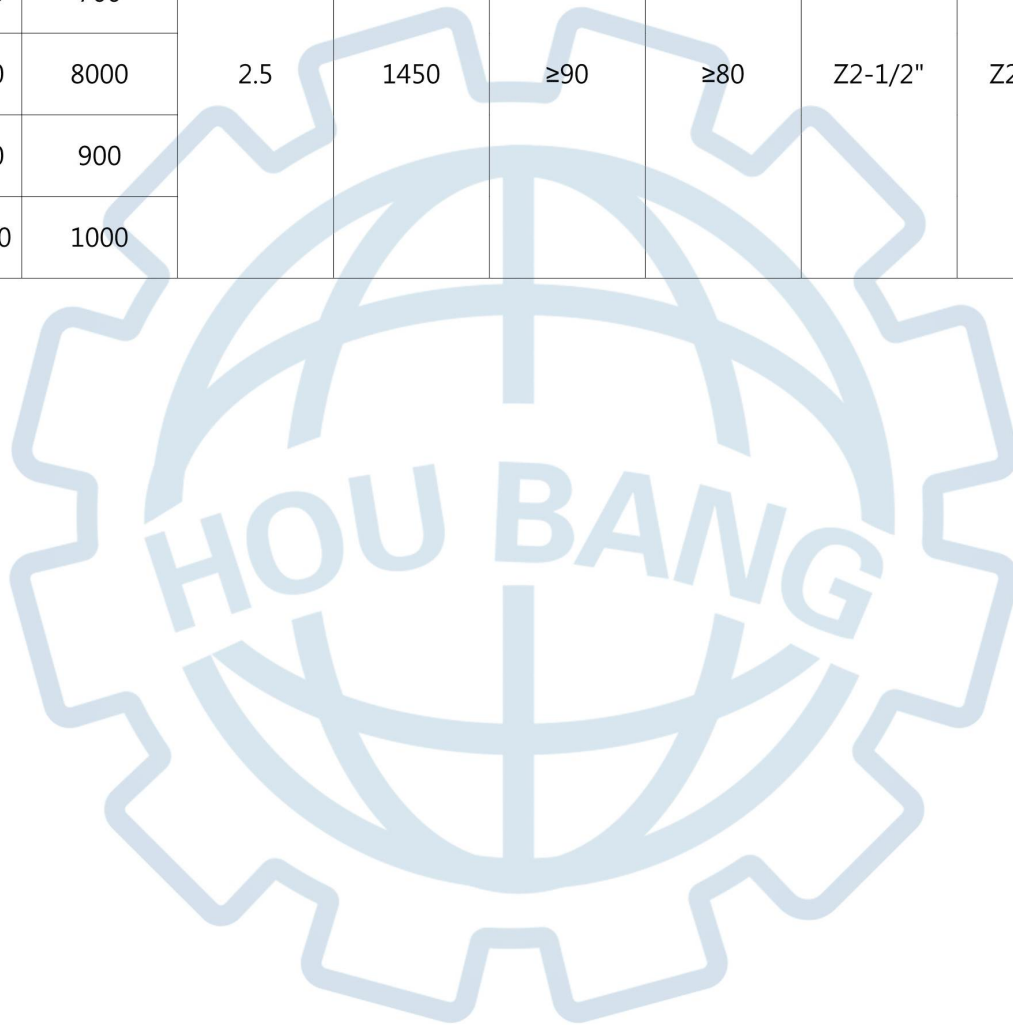
Dimension



Model	DCB-B600	DCB-B700	DCB-B800	DCB-B900	DCB-B1000
H	186	210	228	245	263

Technical Specification

Type	Flow l/min	Rated Pressure MPa	Rated Rotate Speed r/min	Volume Efficiency $\eta_v\%$	Overall Efficiency $\eta_t\%$	Oil-in	Oil-Out	Driving Power Kw
DCB-B600	600	2.5	1450	≥ 90	≥ 80	Z2-1/2"	Z2-1/2"	29
DCB-B700	700							32
DCB-B800	8000							39
DCB-B900	900							42
DCB-B1000	1000							49





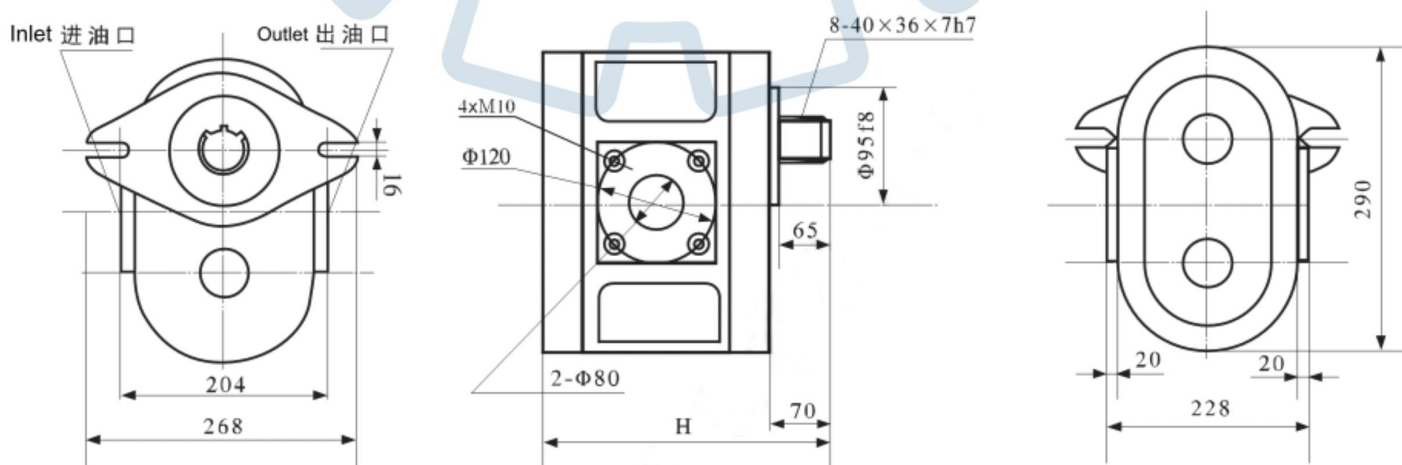
DCB-B600~1000 Low Noise & Large Flow Gear Pump(OVAL)



Introduction

This series of high flow pump has a helical gear, with the advantage of low noise, large flow, small pulse, stable operation. It is widely used in the hydraulic systems of artificial, plywood machinery, forestry machinery, plastic machinery, which is less than 2.5MPa hydraulic systems. It can be also used for high flow oil filling stations, oilfields. After corrosion treatment, it can be used for water pump.

Dimension

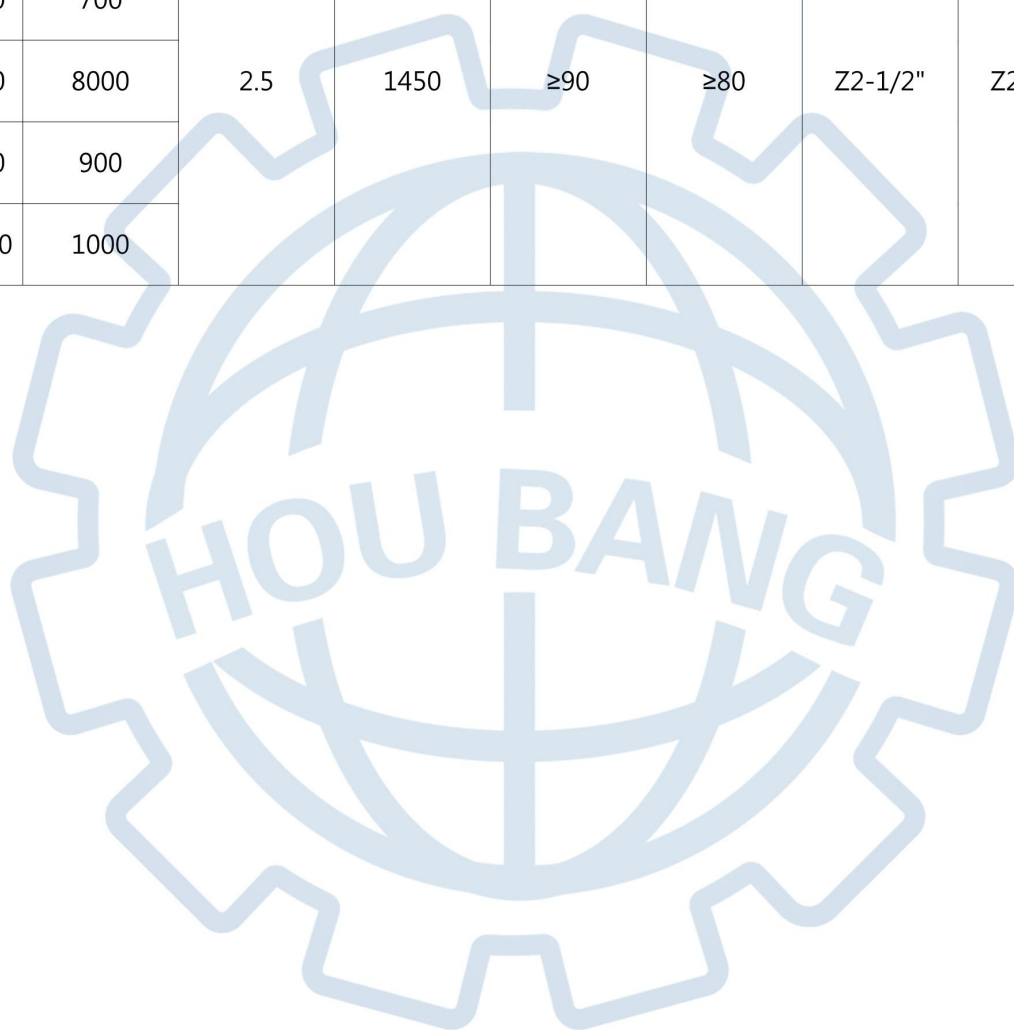




Model	DCB-B600	DCB-B700	DCB-B800	DCB-B900	DCB-B1000
H	354	374	394	414	435

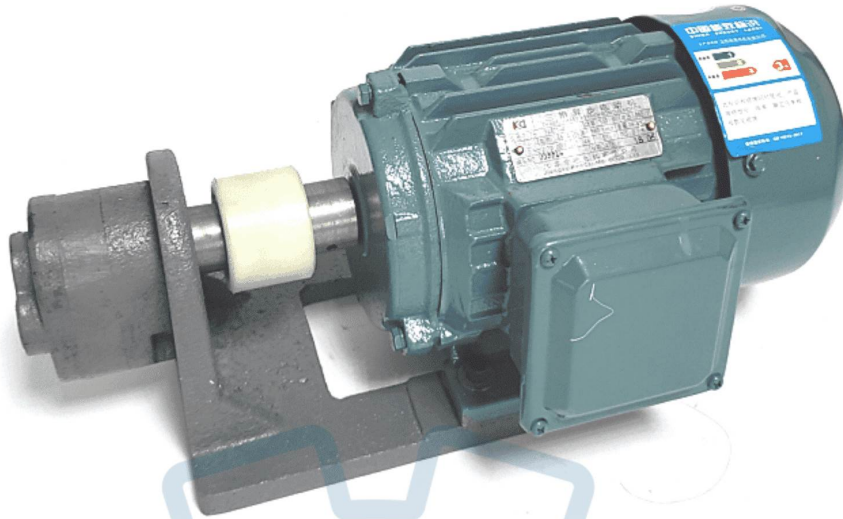
Technical Specification

Type	Flow l/min	Rated Pressure MPa	Rated Rotate Speed r/min	Volume Efficiency $\eta_v\%$	Overall Efficiency $\eta_t\%$	Oil-in	Oil-Out	Driving Power Kw
DCB-B600	600	2.5	1450	≥ 90	≥ 80	Z2-1/2"	Z2-1/2"	29
DCB-B700	700							32
DCB-B800	8000							39
DCB-B900	900							42
DCB-B1000	1000							49





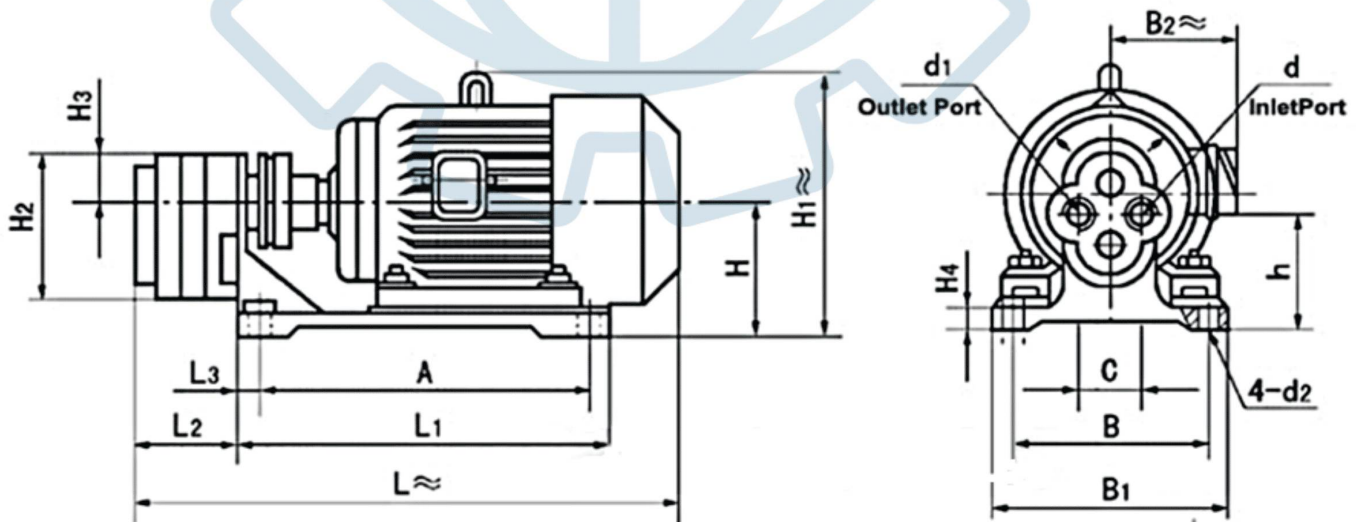
WBZ Gear Pump 's Motor Device



Introduction

WBZ gear pump devices are widely used in lubrication and hydraulic transmission system as a lubricating oil pump unit or delivery system of the hydraulic power source, can also be used to transport non-particulate matter, non-corrosive liquid lubricating medium for media viscosity grades of industrial lubricants or hydraulic oil N22-N460, and a temperature of $50\text{ }^{\circ}\text{C} \pm 5\text{ }^{\circ}\text{C}$. the gear pump motor device has a simple structure, reliable operation, easy maintenance and so on.
Remark:WBZ2 gear pump motor unit, and out of the oil port is ZG pipe thread, user please specify when ordering.

Dimension





Model	L≈	L1	L2	L3	A	B	B1	B2≈	C	H	H1≈	H2	H3	H4	h	d	d1	d2
WBZ2-6	314	265	58	80	/	120	165	79	35	95	125	100	28	/	75	ZG ³ / ₈ "	ZG ³ / ₈ "	12
WBZ2-10	326		65															
WBZ2-16	446	370	76	27	310	160	220	155	50	130	240	128	43	30	109	ZG ³ / ₄ "	ZG ³ / ₄ "	15
WBZ2-25	454		84															
WBZ2-40	498	405	92	25	360	215	250	180	55	142	265	152	50	30	116	ZG1"	ZG ³ / ₄ "	15
WBZ2-63	510		104															
WBZ2-100	620	500	119	27	430	260	300	210	65	172	355	185	60	40	140	ZG1 ¹ / ₄ "	ZG1"	19
WBZ2-6	314	265	58	80	/	120	165	79	35	95	125	100	28	/	75	ZG ³ / ₈ "	ZG ³ / ₈ "	12

Technical Specification

Model	Nominal Mpa	Gear pump			Motor			Weight kg	
		Model	Nominal flow rate L/min	Suction height mm	Model	Power Kw	speed r/min		
WBZ2-6	0.63	CB-B6	6	500	Y80L-4-B3	0.55	1450	45	
WBZ2-10		CB-B10	10						
WBZ2-16		CB-B16	16						
WBZ2-25		CB-B25	25		Y90L-4-B3	1.1			80
WBZ2-40		CB-B40	40						
WBZ2-63		CB-B63	63						
WBZ2-100		CB-B100	100		Y100L ₁ -4-B3	2.2			100
WBZ2-125		CB-B125	125						
									Y112M-4-B3
							146		



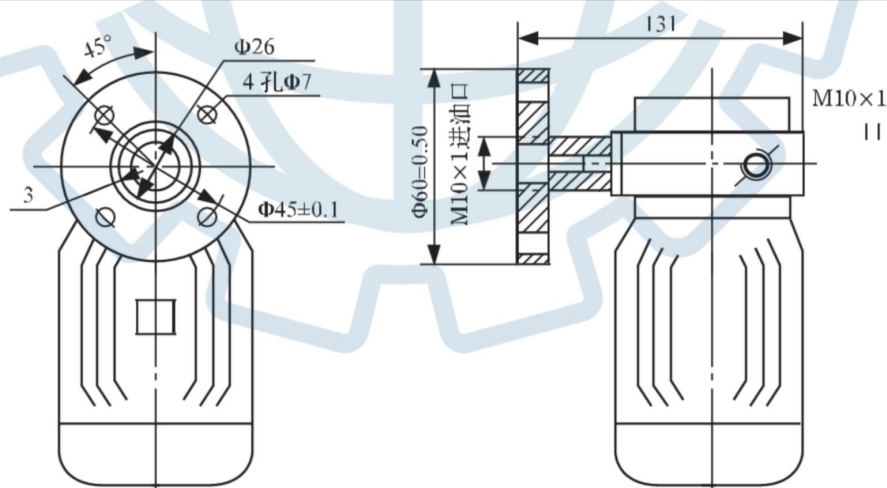
CB-0.8 Gear Pump 's Motor Device



Introduction

The device is special used as lubrication pump for all kinds of reducer and machinery.

Dimension

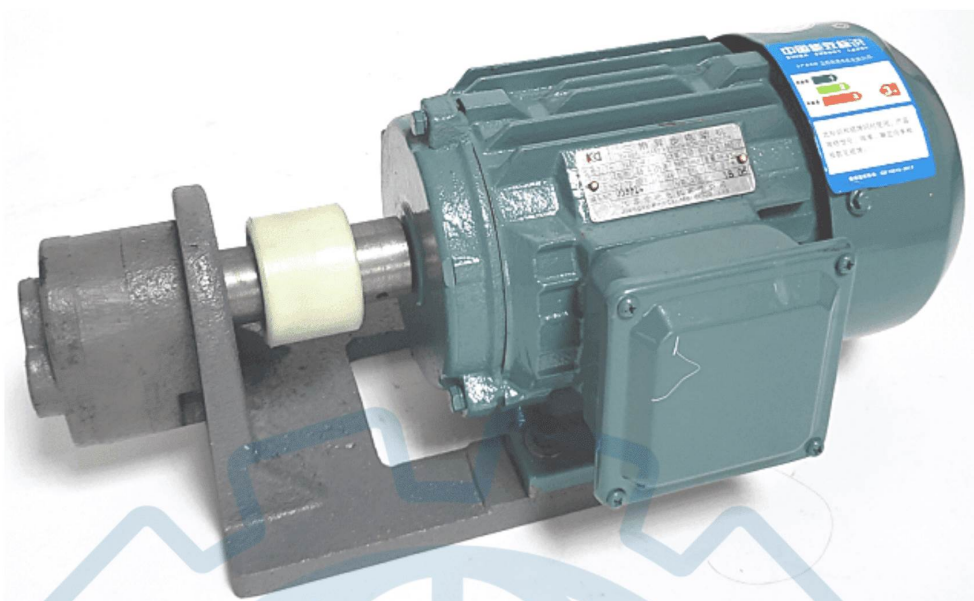


Technical Specification

Model	Rated Flow	Rated Pressure	Rated Speed	Suction	Power
	L/min				
CB-B0.8	0.8	0.6	1400	0.5	40
CB-B1.2	1.2				40
CB-B1.5	1.5				80
CB-B2.2	2.5				120



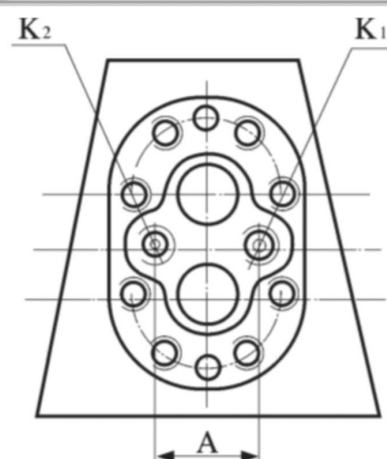
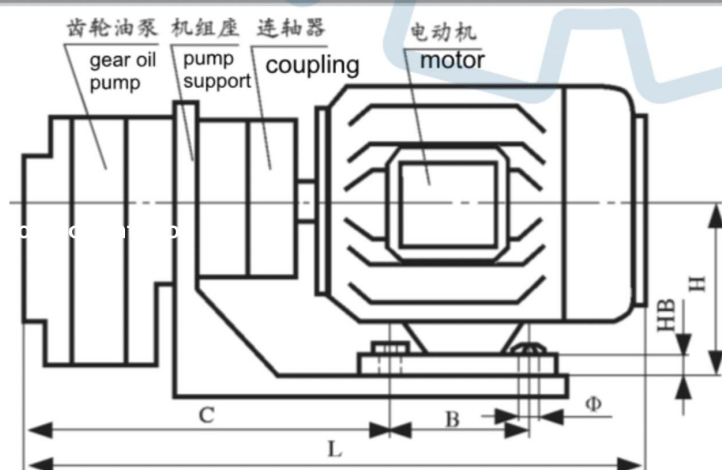
CB-BJZ Gear Pump's Motor Group (Horizontal)



Introduction

CB-BJZ gear pump motor group (horizontal) is widely used in machine tools, hydraulic machinery, engineering machinery, hydraulic systems, as a power source system can also be used to thin oil station, metallurgy, mining, petroleum, chemical, textile machinery and other equipment in for the pump, lubrication pump, fuel pump. Gear pump motor means for conveying a viscosity of 1 ~8 ° mineral oil, oil temperature at 10 °C ~ 60 °C , such as hydraulic oil, mechanical oil, fuel oil.

Dimension





Technical Specification

Model	C	L	A	B	Φ	HB	H	Oil-in K	Oil-out K	Motor	Power Kw		
CB-B2.5JZ			35	80	7	10	63	Z3/8"	Z3/8"	YS7114	0.25		
CB-B4JZ	160	347											
CB-B6JZ	164	351		90			71						
CB-B10JZ	178	359											
CB-B16JZ	212	416	50	100	10	12	90	Z3/4"	Z3/4"	Y90S-4-B3	1.1		
CB-B20JZ	216	420											
CB-B25JZ	220	449		125									
CB-B32JZ	226	455											
CB-B40JZ	243	500	55	140	10	14	100	Z1"	Z3/4"	Y100L1-4-B3	2.2		
CB-B50JZ	249	506											
CB-B63JZ	262	532				15	112			Y112M-4-B3	4		
CB-B80JZ	315	621											
CB-B100JZ	322	628	65	140	12	18	132	Z1/4"	Z1"	Y132S-4-B3	5.5		
CB-B125JZ	331	677		178						Y132M-4-B3	7.5		



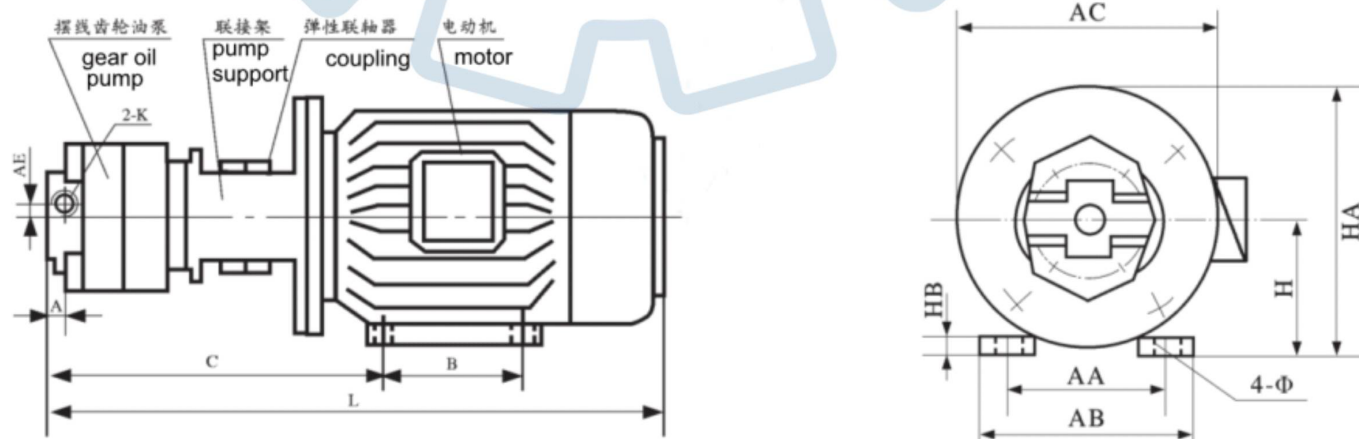
BB-BJZ Cycloidal Gear Pump's Motor Group (Vertical & Horizontal)



Introduction

BB-BJZ gear pump motor group (horizontal) is widely used in machine tools, hydraulic machinery, engineering machinery, hydraulic systems, as a power source system can also be used to thin oil station, lubrication pump, fuel pump. Gear pump motor means for conveying a viscosity of 1 ~ 8° mineral oil, metallurgy, mining, petroleum, chemical, textile machinery And other equipment in for the pump, oil temperature at 10 °C ~ 60 °C , such as Hydraulic oil, oil, fuel oil.

Dimension





Technical Specification

Model	A	B	C	AA	AB	AC	AE	H	HA	HB	K	Φ	L	Motor
BB-B4JZ	14	80	171	100	125	130	2	71	130	9	Z3/8"	9	325	YS7114
BB-B6JZ		90	199	112				80	150				379	YS7114
BB-B10JZ			208		137	150		388	YS8014					
BB-B16JZ	20	100	243	140	180	200	3	90	190	12	Z3/4"	10	447	Y90S-4-B35
BB-B20JZ			247										451	
BB-B25JZ		125	252										481	Y90L-4-B35
BB-B32JZ			259										488	
BB-B40JZ	22	140	280	160	205	4	100	245	14	Z3/4"	10	537	Y100L1-4-B35	
BB-B50JZ			285									542	Y100L21-4-	
BB-B63JZ			299									190	245	230
BB-B80JZ	27	140	350	216	280	270	5	132	315	18	Z1"	12	656	Y132S-4-B35
BB-B100JZ			357										663	
BB-B125JZ		178	366										712	Y122M-4-B35



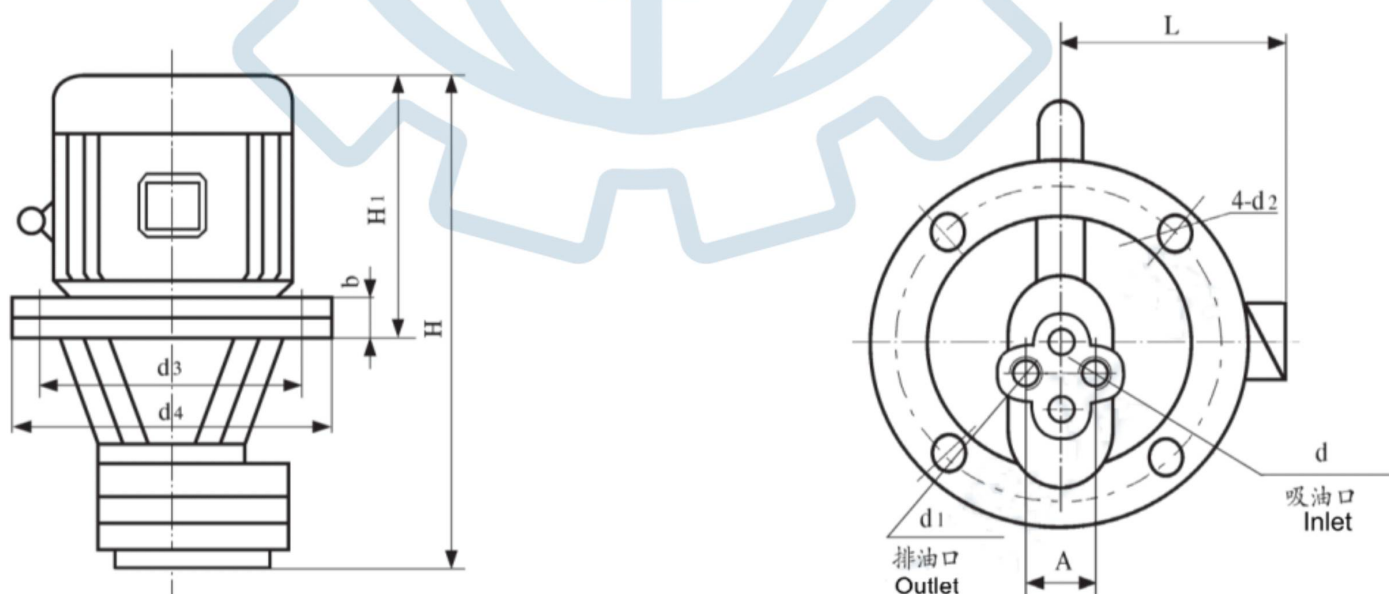
LBZ Gear Pump 's Motor Device



Introduction

LBZ vertical gear pump motor device is suitable for lubrication oil station as oil, hydraulic drive system can also be used as a power source, gear pumps conveying non-corrosive lubricating liquid medium, the viscosity of the medium is suitable for industrial lubricants N22-N460's or hydraulic temperature $50\text{ }^{\circ}\text{C} \pm 5\text{ }^{\circ}\text{C}$.

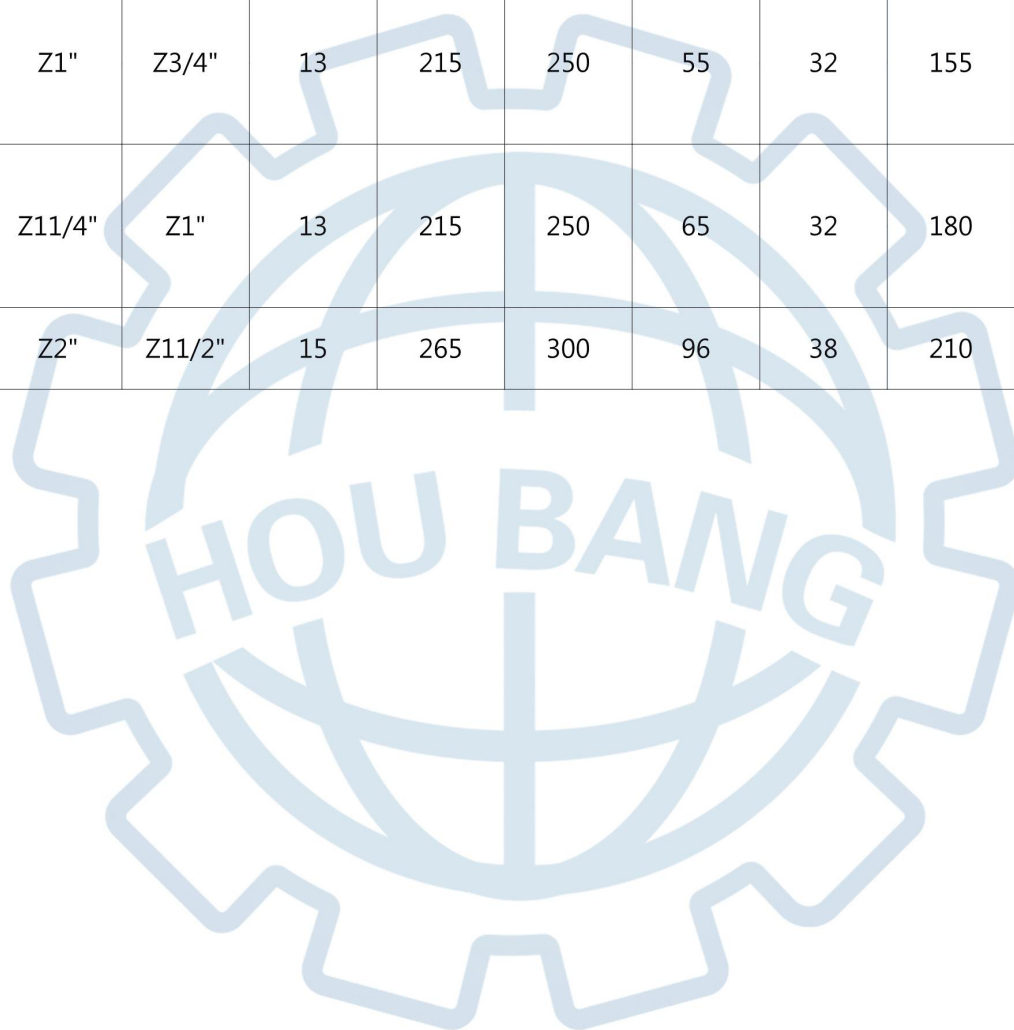
Dimension





Technical Specification

Model	d	d1	d2	d3	d4	A	b	L	H	H1
LBZ-6	Z3/8"	Z3/8"	11	165	200	35	30	140	423	275
LBZ-10									435	
LBZ-16	Z3/4"	Z3/4"	11	165	200	50	30	140	474	293
LBZ-25									482	
LBZ-40	Z1"	Z3/4"	13	215	250	55	32	155	520	328
LBZ-63									532	
LBZ-100	Z1 1/4"	Z1"	13	215	250	65	32	180	606	363
LBZ-125									615	
LBZ-160	Z2"	Z1 1/2"	15	265	300	96	38	210	656	415





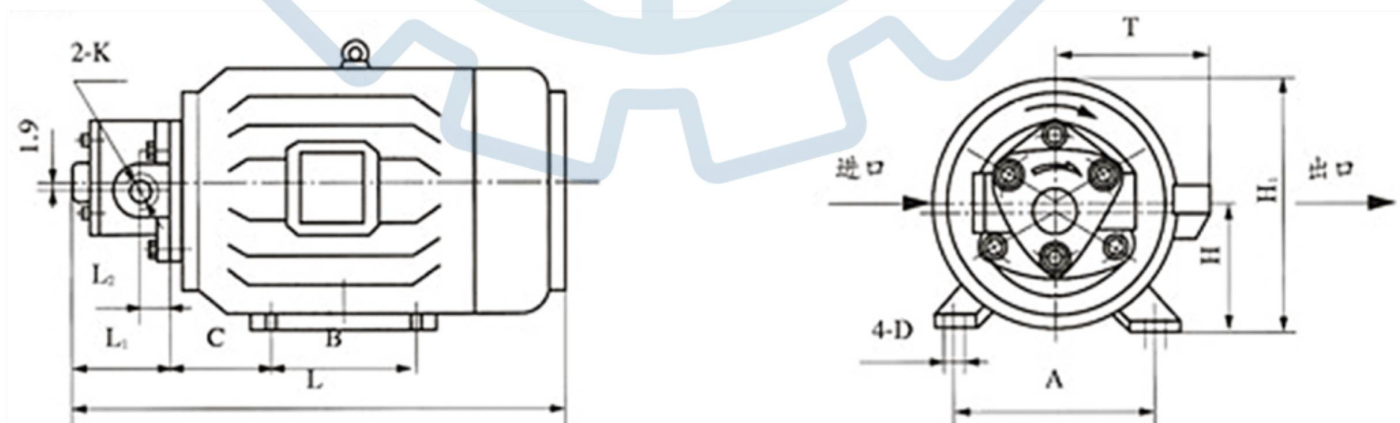
RHB Lubricating Cycloidal Gear Pump's Motor Group



Introduction

RHB-type lubrication cycloid gear pump motor group by the motor, frame, flexible couplings, pumps composition, gear pump turbine unit with a compact, easy to install, suitable for machine tools, machinery and transport equipment lubrication oil.

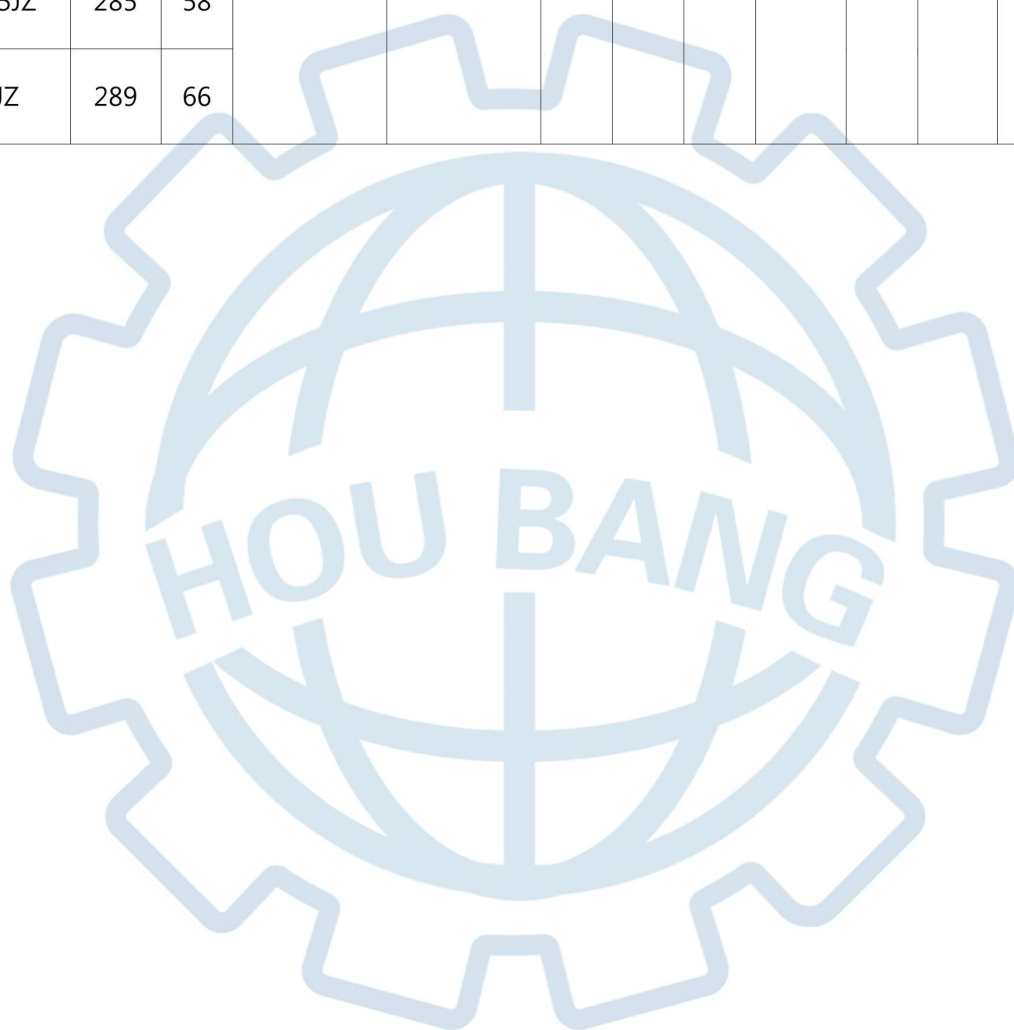
Dimension





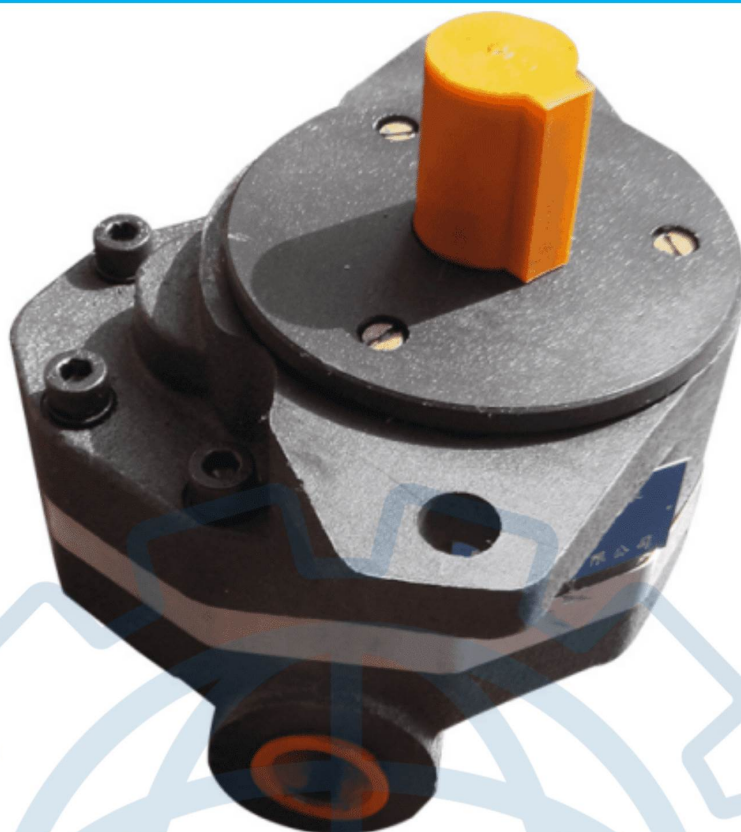
Technical Specification

Model	L	L1	L2	C	B	A	H	H	T	D	2-K	Motor
RHB-1JZ	276	42									Z1/8"	JW5614
RHB-1.6JZ	279	46										JW5614
RHB-2.5JZ	282	52	14	62	71	90	56	115	75	Φ7	Z1/4"	JW5624
RHB-3.15JZ	285	58									Z3/8"	JW5624
RHB-4JZ	289	66										JW5624





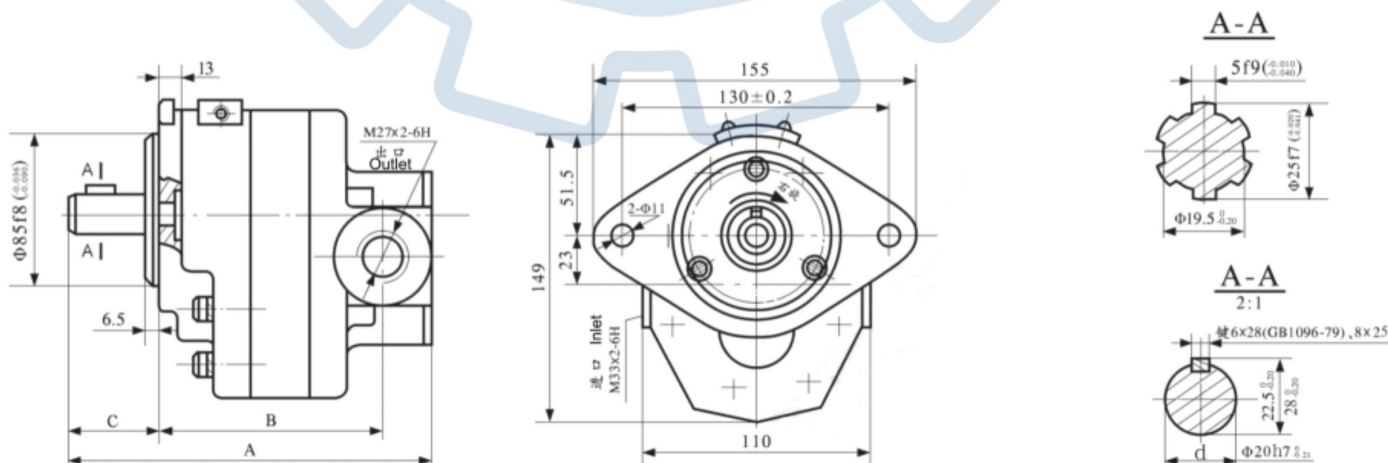
CB-Fa(Fc) High Pressure Gera Pump



Introduction

CB-FA (FC) high-pressure gear pump uses high strength castings, radial seal with the tooth tip sweep chamber, axial seal with floating pressure balanced side, thus achieving high efficiency. sue high pressure gear pump with small size, light weight, good performance, reliable and so on. Widely used in engineering machinery, mining machinery, material handling equipment, construction machinery, petroleum machinery, agricultural machinery and other mechanical devices.

Dimension





Technical Specification

Model	Theoretic al Flowing	Pressure (Mpa)		Speed (r/min)			Volumet ric Efficienc y	Overall Efficienc y	Drivin g Powe r	Size			
	ml/r	Rated	Max	Rated	Max	Min	$\eta_v\%$	$\eta_t\%$	kw	A	B	c	d
CB-FA10	11.27	14	17.5	1800	2400	600	≥ 90	≥ 81	5.2	16 4	94	45	20
CB-FA18	18.32								8.4	16 9	99		
CB-FA25	25.36								11.6	17 4	104		
CB-FA32	32.41								14.8	17 9	109		
CB-FA40	39.45								18.1	18 4	114		
CB-Fc10	10.44	16	20	2000	2500	600	≥ 90	≥ 81	6.4	17 0	99		
CB-Fc16	16.01								9.9	17 4	103		
CB-Fc20	20.19								12.4	17 7	106		
CB-Fc25	25.06								15.36	18 0	109		
CB-Fc31.5	32.02								19.6	18 5	114		
CB-Fc40	40	24.8	19 1	120									
CB-Fc50	50	31	20 3	121.5	52.5	25							



CB-B Series Dual Gear Pump



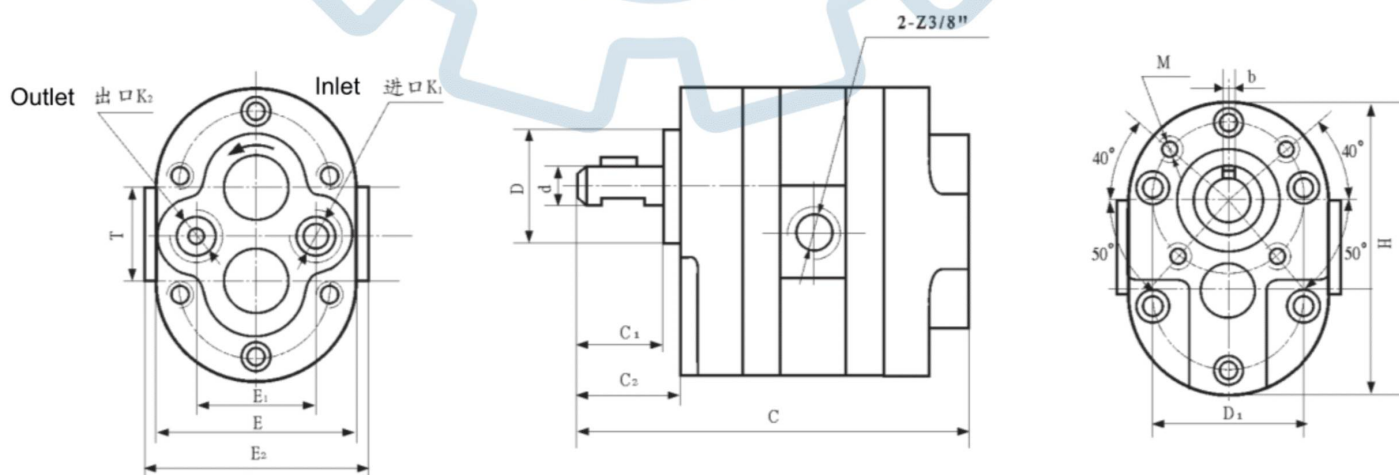
Introduction

This series has two teeth - spur and helical teeth, it is outside the engaging displacement. For the transfer of 1 ~ 8 ° viscosity mineral oil, oil temperature at 10 °C ~ 60 °C, such as hydraulic oil, mechanical oil, fuel oil.

CB-B series gear pump is widely used in machine tools, hydraulic machinery, engineering machinery, hydraulic systems, as a power source system. It can also be used to thin oil station, metallurgy, mining, petroleum, chemical, textile machinery and other equipment for the oil pump, lubricating pump, fuel pump.

** Remark: If the temperature of medium is between 60°C ~ 200°C, please mark it and we will make preparation for your particular requirements.*

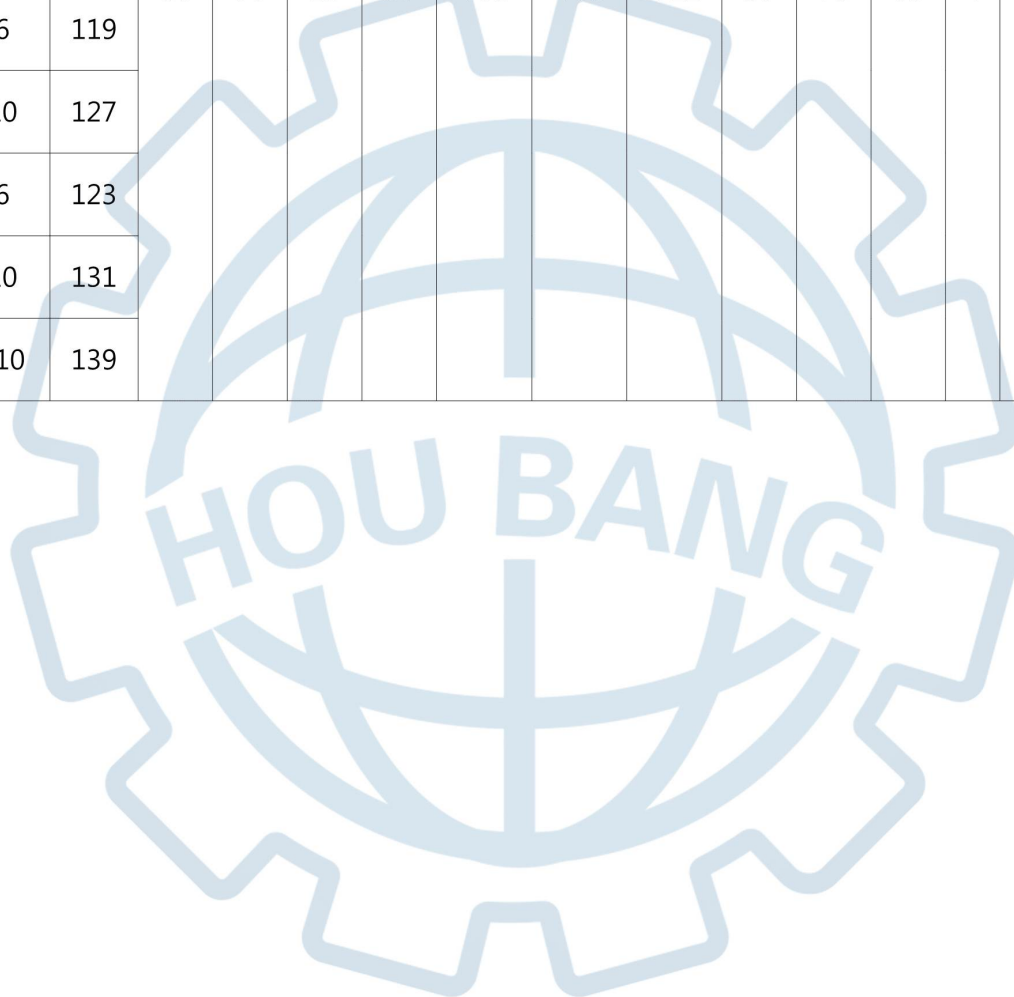
Dimension





Technical Specification

Model	C	E	H	C1	C2	D(f8)	D1	d(h7)	E1	E2	T	b	M	K1	K2
CB-B2.5/2.5	103														
CB-B2.5/4	107														
CB-B2.5/6	111														
CB-B2.5/10	119														
CB-B4/4	115														
CB-B4/6	119	66	96	25	30	Φ35	Φ50	Φ12	35	76	30	4	M6	Z3/8"	Z3"
CB-B4/10	127														
CB-B6/6	123														
CB-B6/10	131														
CB-B10/10	139														





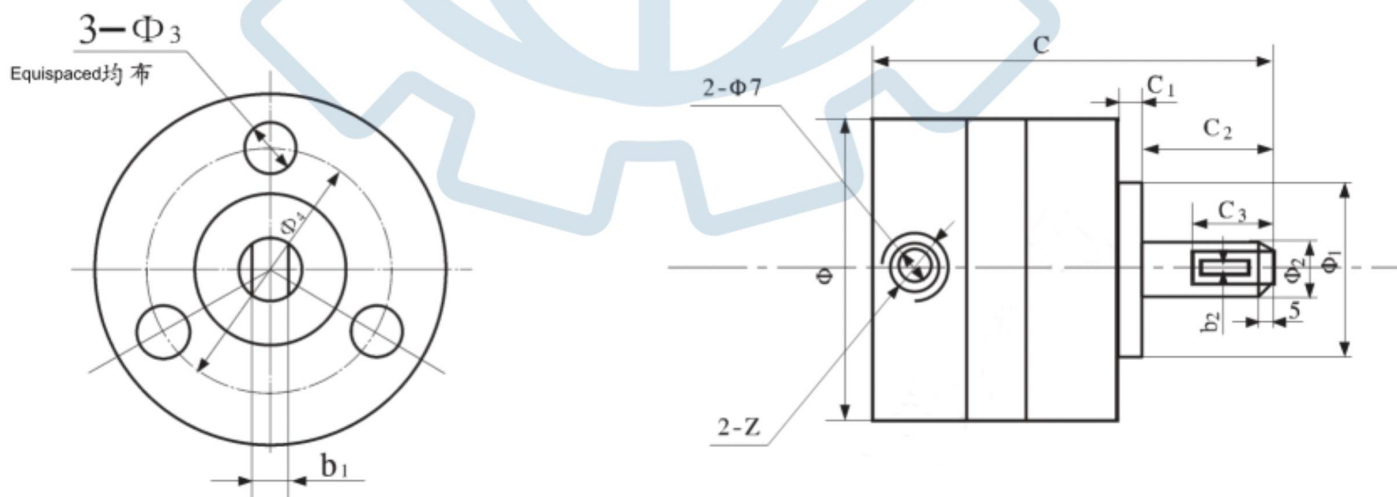
SNBY Bidirectional Lubricating Oil Pump



Introduction

SNBY bidirectional lubrication pump is self-development of a new oil pump, gear pump shaft which is characterized as a forward in, reverse rotation, and out of the oil port will not change, the gear pump can supply the same amount in the same direction oil, its small size, light weight, low noise, long life. For gear, machine tools, textile machinery and other equipment, and general Machinery for the forward and reverse rotation of the occasion as a lubrication pump.

Dimension



Model	C	C1	C2	C3	Φ	Φ1(f8)	Φ2(h7)	b1	b2	Φ3	Φ4.6	Z
SNBY0.8/1.6	72	20	20	10	Φ65	Φ36	Φ8	5	/	Φ7	Φ53	ZG1/4"
SNBY2.5/1.6	80	16	19	12	Φ73	Φ36	Φ8	5	/	Φ7	Φ55	M14×1.5
SNBY2.5/1.6	80	16	19	/	Φ73	Φ36	Φ12	/	4	Φ7	Φ55	M14×1.5
SNBY5/1.6	93	5	25	12	Φ90	Φ35	Φ12	/	4	Φ9	Φ72	Z3/8"
SNBY16/1.6	105	5	25	12	Φ120	Φ35	Φ16	/	5	Φ9	Φ100	Z3/4"
SNBY25/1.6	121	5	30	21	Φ120	Φ50	Φ16	/	5	Φ9	Φ100	Z3/4"

Technical Specification

Model	Output Volume	Speed	Pressure	Suction Height
	ml/r	r/min	MPa	m
SNBY0.8/1.6	0.8	1500	1.6	1
SNBY2.5/1.6	2.5			1.2
SNBY5/1.6	5			1.2
SNBY16/1.6	16			1.2
SNBY25/1.6	25			1.2



SXF Bidirectional Lubricating Oil Pump

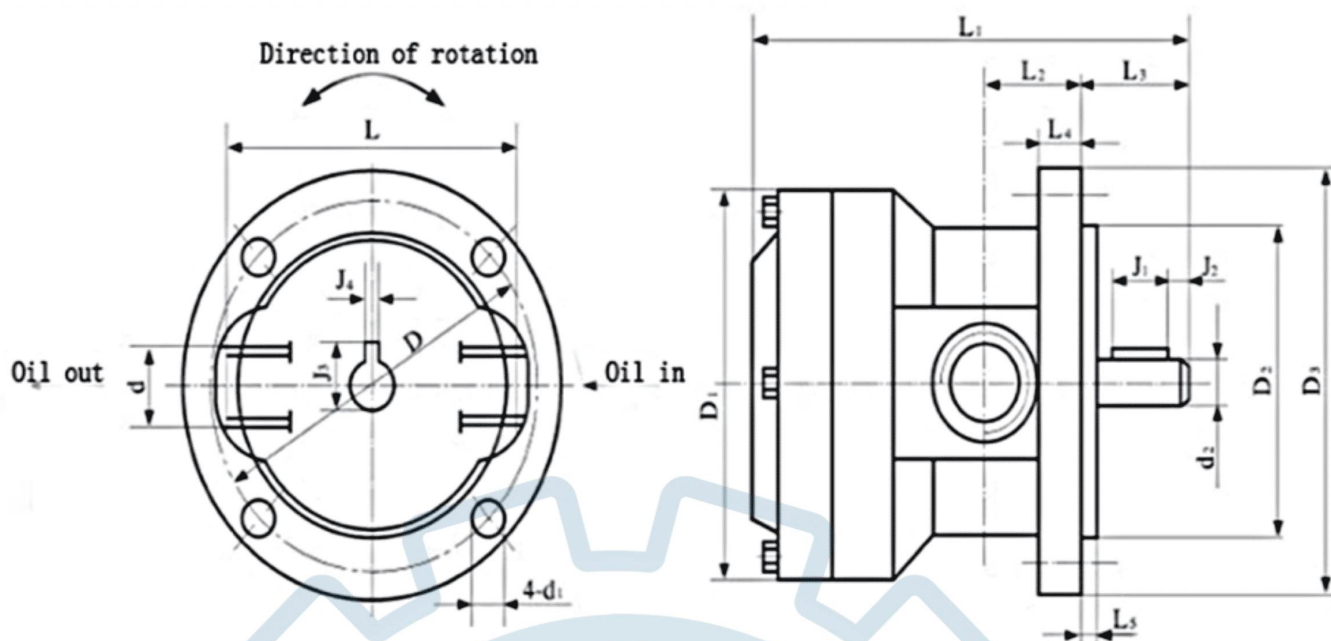


Introduction

SXF series of bi-directional oil pump, its main feature is the small size, can be attached to the machinery with which specializes in providing integrated without power, wide speed range of applications, gear pumps can be used within 100-150 rpm, the drive shaft when reversing, the inlet and outlet ports unchanged. For a long time and then stop using the operation, the suction can automatically start because it has a self-lubricating, wear automatic compensation function, So no routine maintenance and long service life. Widely used in various metallurgical machinery, petrochemical machinery, mining machinery, transmission machinery, reducer, eccentric force applied to the drive, the axial drive mechanical equipment lubrication.



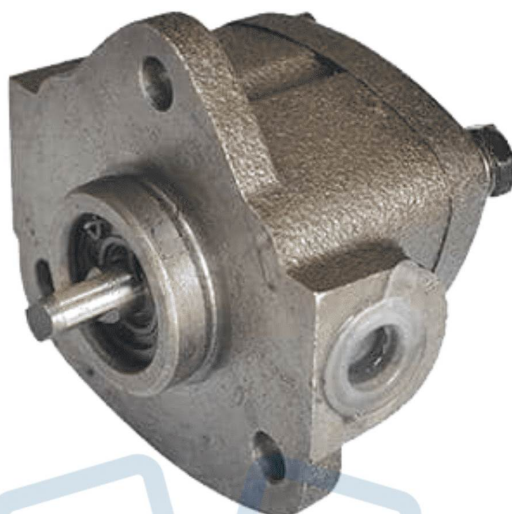
Dimension



Model	Flow L/min	D	D1	d	d1	d2j6	D2j6	D3	L	L1	L2	L3	L4	L5	J1	J2	J3	J4
SXF15	1.5	95	123	Z1/2"	10.5	12	80	110	86	119	29	33	11	3	25	2	13.5	4
SXF25	5-50	120	130	Z1"	11.5	16	100	140	108	171	55	38	12	3	25	4	17.5	4
SXF32	9-90	140	120	Z1 1/4"	11.5	20	120	160	109	209	97	38	12	3	25	4	22.5	4



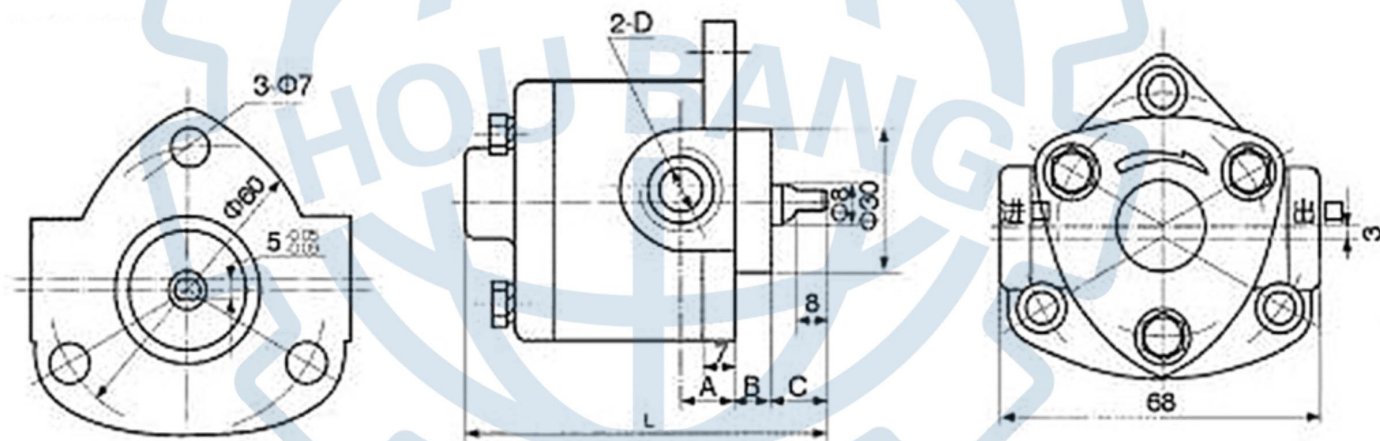
RHB Lubricating Cycloidal Oil Pump



Introduction

RHB-type cycloid gear pump lubrication system low flow, low pressure cycloid gear pump, its small size, easy installation and removal gear pumps for machine tools, machinery lubrication and oil are used.

Dimension



Technical Specification

Model	Output	Flow		Pressure	MAX Speed	Weight	Dimension				
	ml/r	1500 rpm	1800 rpm	Mpa	r/min	kg	L	A	B	C	D
RHB-1	1	1.5	1.8	0.5	3000	0.57	60	11	8	11.5	Z1/8"
RHB-1.6	1.6	2.5	2.9		2000	0.6	64				Z1/4"
RHB-2.5	2.5	3.7	4.5		1800	0.7	70				Z1/4"
RHB-3.15	3.15	4.7	5.7			0.85	76				Z3/8"



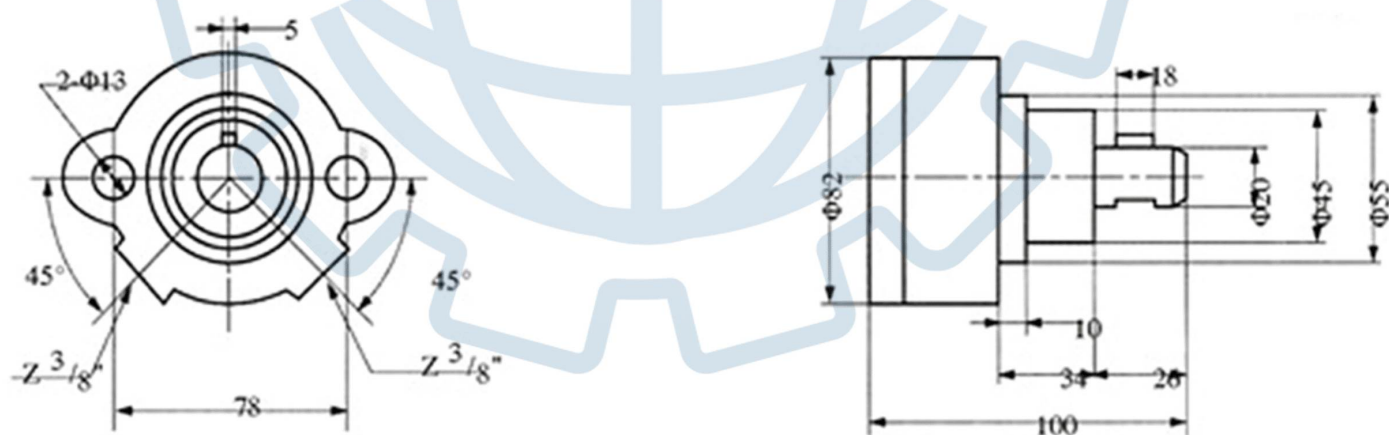
R12-1 Lubricating Oil Pump



Introduction

R12-1 type lubrication pump is the lubrication pump shaft rotates in both directions, the advantage of low noise, long life, this series gear pump for each kind of machine lubrication.

Dimension



Technical Specification

Model	Flow(L/min)	Pressure(MPa)	Speed(r/min)
R12-1	5	0.5	700 ~ 1450